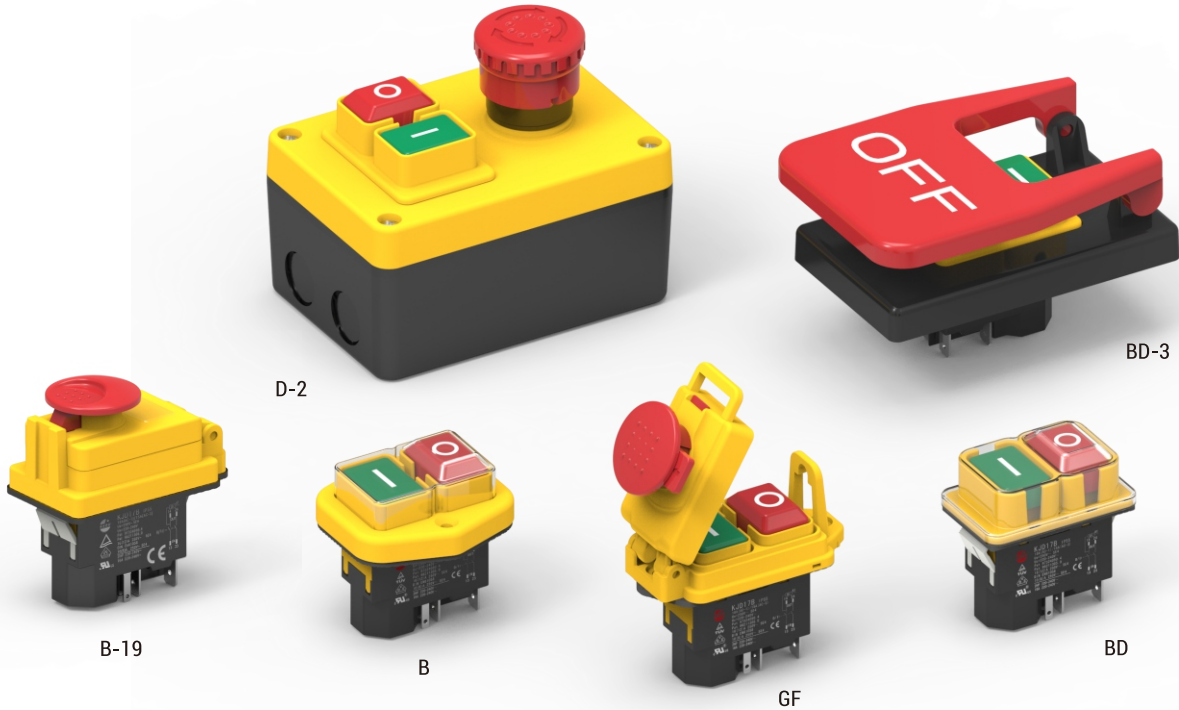




# 电磁开关

## KJD17B KJD17B-16 Electromagnetic Switch



### Description 描述

These switches have the following functions that derived from power-off and under voltage protection:

1. Double pole cut off;
2. Brake function with one pole cut off;
3. These two versions can be combined with overload protection switch to achieve under voltage and overload protection.

The advantage of our patented technology is high current with small size.

该系列开关在停电和欠电压保护功能的基础上可派生出以下几种功能：

- 1、两极全断开;
  - 2、一极断开带刹车功能;
  - 3、以上两种均可与热保护开关组合使用，即同时具备欠压保护，过载保护等。
- 该专利技术体形小，电流大。

### Specifications 参数

Standard 标准	TUV (En60947)	TUV (En61058)				UL, CUL (UL508, E195428)		VDE, CE (DIN EN61058, VDE0630)
Type 型号	KJD17B	KJD17B		KJD17B-16		KJD17B	KJD17B-16	KJD17B
Rated Voltage 额定电压	250V~	120V~	250V~	120V~	250V~	120V~	220 - 240V~	250V~
Rated Current 额定电流	AC-1: 18A AC-3: 15A	10 (8) A 18 (16) A	10 (8) A 16 (12) A	16 (16) A	18 (16) A	16A 1 / 2HP	16A 2HP	10 (8) A
Coil Voltage 线圈电压	220 - 240V~ or 100 - 120V~							
Rated Frequency 额定频率	50 / 60Hz							
Degree of Protection 防护等级	IP54 (EN60947) IP55 (EN61058)							
Number of Operating Cycles 操作循环次数	5E4							
Ambient Temperature 环境温度	T85 / 55							

# 电磁开关

## KJD17B KJD17B-16 Electromagnetic Switch



### Ordering Options 订货选项

Appearance and Panel 外形图和面板	Function 功能	Coil Voltage/Frequency 线圈电压/频率	Marking on Button 按钮标识	Accessories 附件
<b>B</b> 	<b>F1</b> Without Remote Trip 2NO 无小插片2NO 	<b>V1</b> 110V 50Hz <b>V2</b> 120V 50/60Hz <b>V3</b> 220V-240V 50/60Hz <b>V4</b> 230V 50Hz	<b>M1</b> <b>M2</b> <b>M3</b> <b>M4</b> <b>M5</b> <b>M6</b> <b>M7</b> <b>M8</b>	<b>A1</b> Waterproof Cover 防水罩 Type B  Type C  Type GF  Type BC  Type BD 
<b>C</b> 	<b>F2</b> With Remote Trip 2NO 带小插片2NO 			
<b>GF</b> 	<b>F3</b> With Remote Trip NO+NC 带小插片NO+NC 			
<b>BC</b> 	<b>F4</b> Without Remote Trip NO+NC 无小插片NO+NC 			<b>A2</b> Rubber Seal 橡胶垫 
<b>BD</b> 	Note: Function F3, F4 only Suitable for Panel GF 注:功能F3, F4仅适用于面板GF			<b>A3</b> Rubber Sleeve 橡胶套 Type B 
<b>B-19</b> 				<b>A4</b> With Emergency Stop of Mounting Boxes 安装盒带急停  <b>A5</b> Emergency Stop Button 急停钮盖 



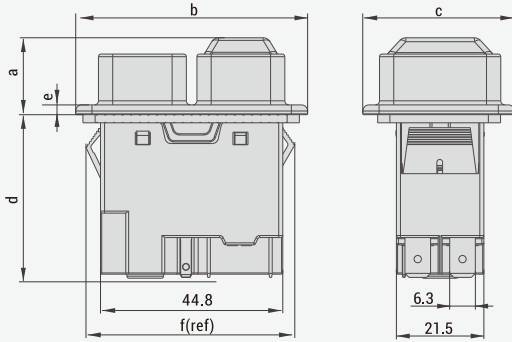
# 电磁开关

## KJD17B KJD17B-16 Electromagnetic Switch



### Reference Dimension 参考尺寸

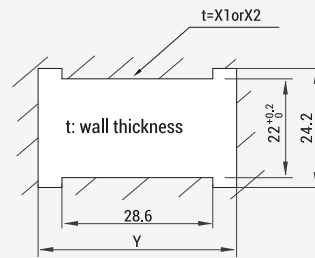
BD, BC, BD-16, BC-16



	BD	BC
a	19.8	19.2
b	55.6	56
c	34.5	37.4
d	40.2	40.2
e	2.4	2.4
f	51.3	51.3

### Snap-in Mounting Size 压扣式安装孔尺寸

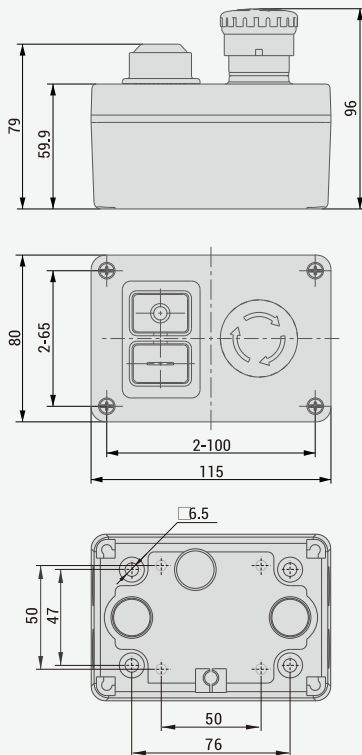
BD, BC, BD-16, BC-16



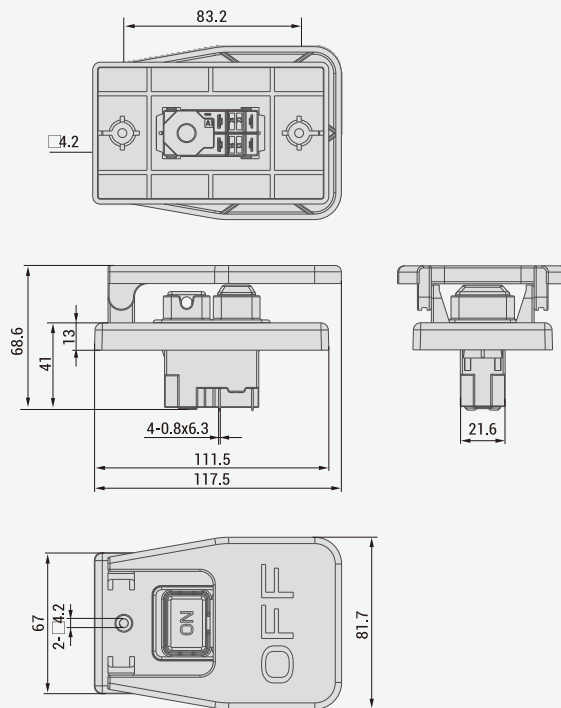
X1: value "t" with Rubber Gasket  
 X2: value "t" without Rubber Gasket  
 x1: 带橡胶垫时的t值  
 x2: 不带橡胶垫时的t值

X1	X2	Y
1~1.5	1.5~2.5	46 <sup>+0.1</sup> <sub>0</sub>
1.5~2.5	2.5~3.5	46.4 <sup>+0.1</sup> <sub>0</sub>

D-2, D-2-16



BD-3, BD-3-16



# 电磁开关

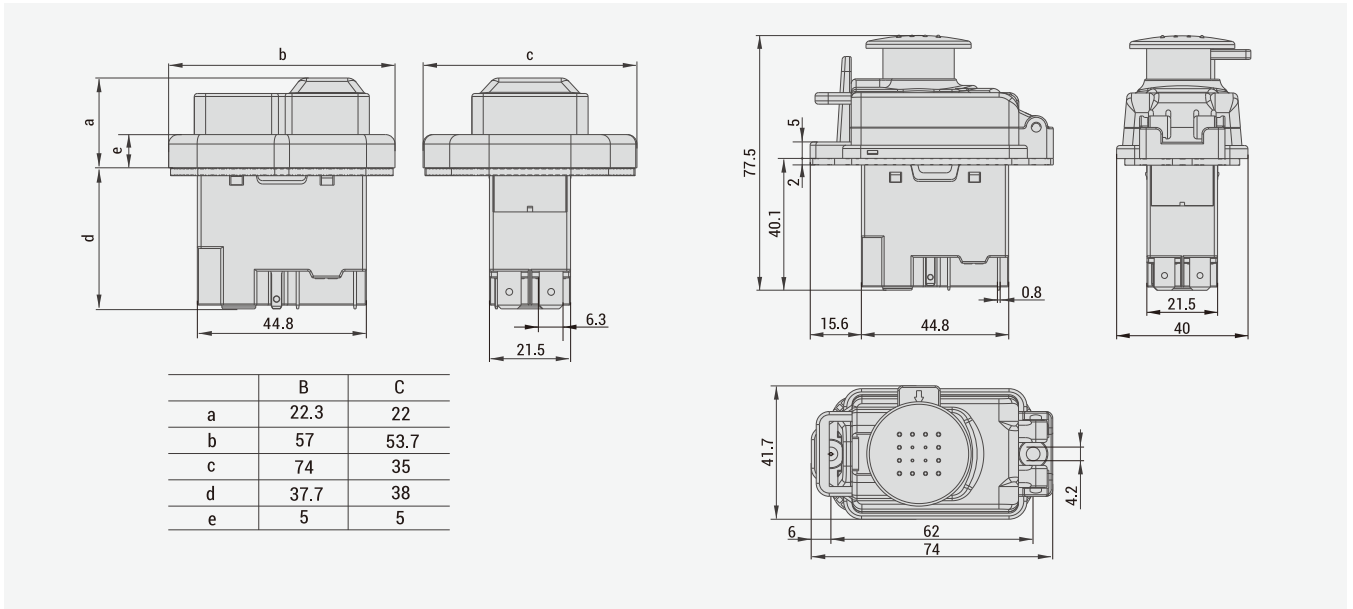
## KJD17B KJD17B-16 Electromagnetic Switch



### Reference Dimension 参考尺寸

B, C, B-16, C-16

GF, GF-16



### Mounting Size 安装孔尺寸

KJD17-19

B, B-16

